

# 600W, 880nm, Conduction-Cooled, Multi-Bar Module with Homogenized Laser Beam

## Features

- Single wavelength
- Homogenized laser beam
- Thermal interface by base-plate
- Scalable output power

## Optional Accessories

- Integrated monitor photo diode
- Integrated NTC temperature sensor



## Device Specification

Optical <sup>1</sup>		Units	
Center Wavelength Range <sup>1</sup>		nm	880
Center Wavelength Tolerance		nm	±5
Output Power <sup>2</sup>		W	600
Spectral Width (FWHM)		nm	<5
Beam Size <sup>3</sup>	Length	mm	<12
	Width	µm	325 ±25
Working Distance		mm	160 ±10
Homogeneity <sup>5</sup>		%	97.5
Wavelength Temp. Coefficient		nm/°C	0.31

Electrical Parameters <sup>1</sup>		
Power Conversion Efficiency	%	≥45
Threshold Current (I <sub>TH</sub> )	A	≤15
Operating Current (I <sub>OP</sub> )	A	≤70
Operating Voltage (V <sub>OP</sub> )	V	<24

Thermal Parameters		
Operating Temperature <sup>4</sup>	°C	+20 to +30
Storage Temperature <sup>4</sup>	°C	0 to +55
Recommended Heat Sink Capacity	W	≥750

<sup>1</sup>Data at 25°C cold plate temperature, unless otherwise stated.

<sup>2</sup>Reduced lifetime if used above nominal operating conditions.

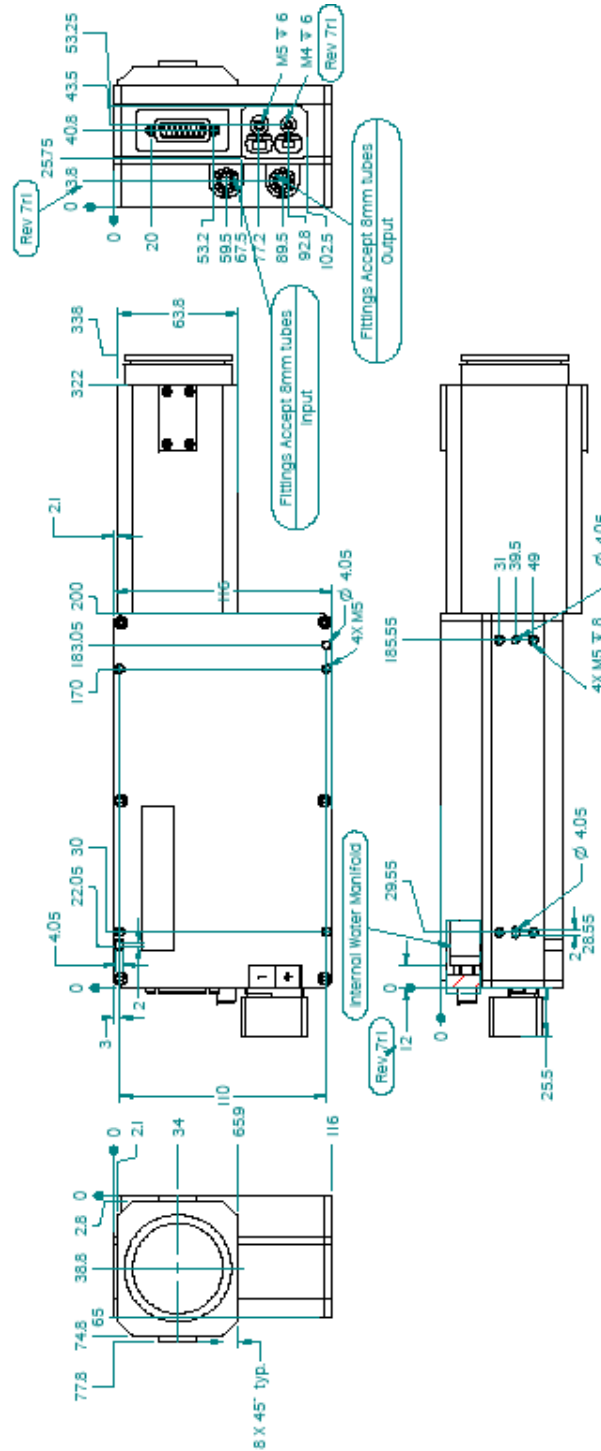
<sup>3</sup>Length is based on 95% power included; width is based on 90% power included

<sup>4</sup>A non-condensing environment is required for storage and operation below the ambient dew point.

<sup>5</sup>Defined as  $1 - (I_{max} - I_{min}) / (I_{max} + I_{min})$  within 10.5mm line length

# 600W, 880nm, Conduction-Cooled, Multi-Bar Module with Homogenized Laser Beam

## Package Dimension



©2011 DILAS. All rights reserved. DILAS reserves the right to change products specifications without notice. For handling precautions, please reference the general handling instruction manual.

For complete details, please contact your local DILAS sales representative or visit our website at [www.DILAS.com](http://www.DILAS.com).

**Europe**  
DILAS Diodelaser GmbH  
Galileo-Galilei-Straße 10  
55129 Mainz  
Germany  
Phone: +49 (6131) 9226 0  
Fax: +49 (6131) 9226 257  
Email: [sales@DILAS.de](mailto:sales@DILAS.de)

**North America**  
DILAS Diode Laser, Inc.  
9070 South Rita Road  
Suite 1500  
Tucson, AZ 85747  
Phone: +1 (520) 232-3484  
Fax: +1 (520) 232-3499  
Email: [sales@DILAS-INC.com](mailto:sales@DILAS-INC.com)

**Asia**  
DILAS Diodelaser GmbH  
China Sales Office  
Room 206, Sunplus Technology, Bldg. 2  
No. 1077 Zu Chongzhi Road  
Hi-Tech Park, Shanghai 201203,  
P.R. China  
Phone: +86 (0) 21-6855-2216  
Fax: +86 (0) 21-5027-3793  
Email: [sales@dilas-china.com.cn](mailto:sales@dilas-china.com.cn)